

UNLESS OTHERWISE SPECIFIED,
DIMENSIONS ARE IN MILLIMETERS

ANGULAR = ± °

SURFACE FINISH

DO NOT SCALE DRAWING

BREAK ALL SHARP EDGES AND
REMOVE BURRS

FIRST ANGLE PROJECTION



	NAME	SIGNATURE	DATE
DRAWN	ADRIEN BOUSSICAULT		2023-03-18
CHECKED			
APPROVED			

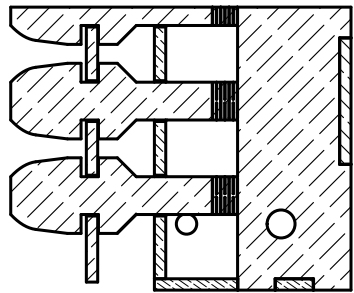
MATERIAL	FINISH

Keyboard 3 keys

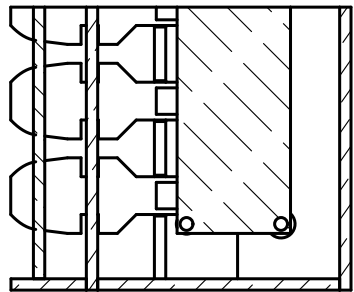
License : CreativeCommons-BY-SA 4.0

Authors: Boussicault Adrien (2), Granet Thomas (1), Lacroix Pierre (2),
Reynald Morin (1), Bruno Pires (1)
(1) IEM-Talence/APF - (2) LaBRI/University of Bordeaux
Fab EirLab/Bordeaux INP - OpenHandicap

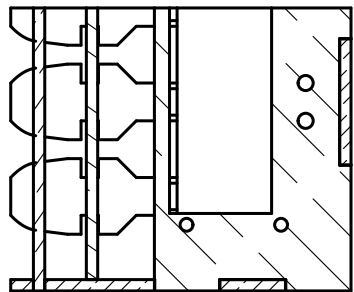
SIZE	DWG NO.	REV.
A4		1
SCALE 1:2	WEIGHT	SHEET 1 of 3



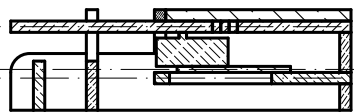
B - B



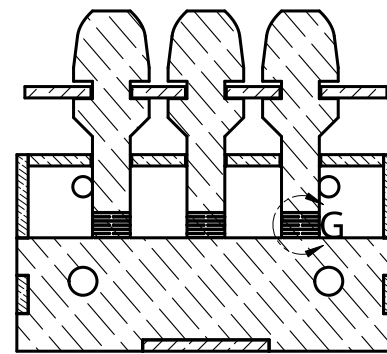
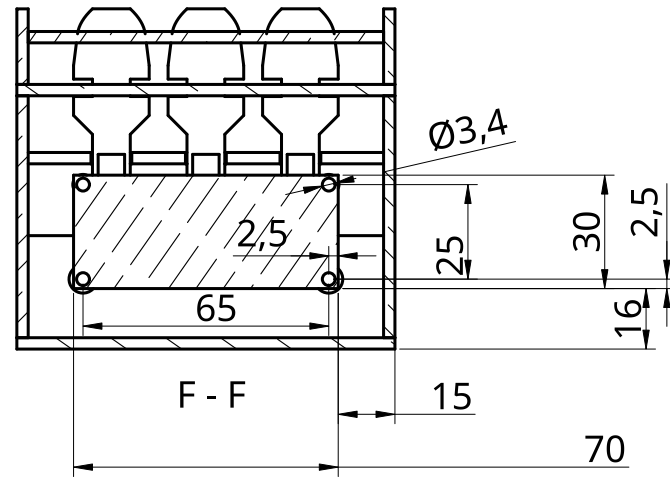
E - E



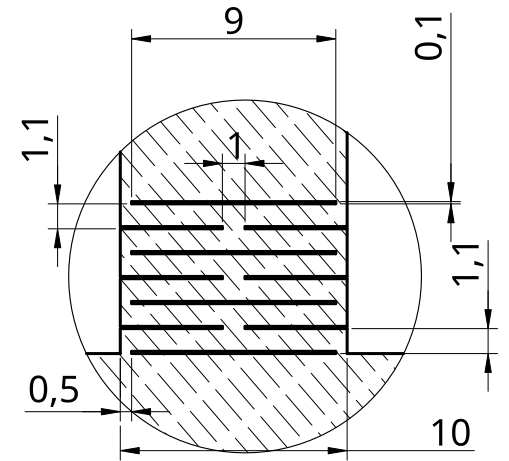
D - D



C - C



A - A



G
3:1

